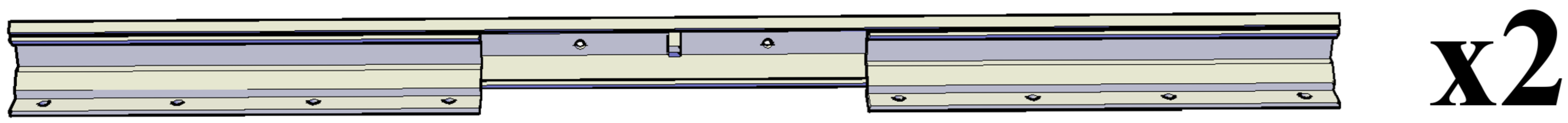


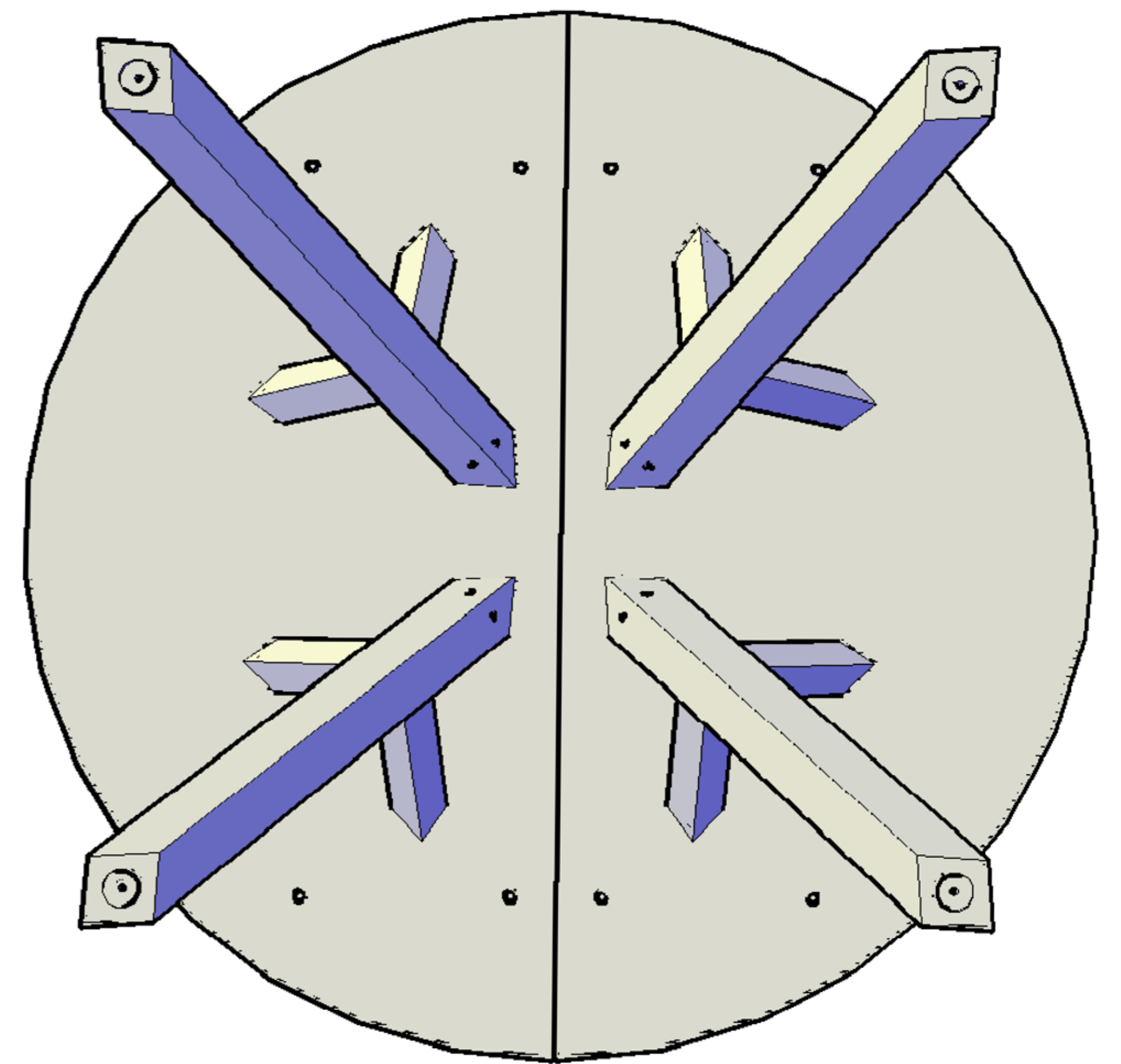
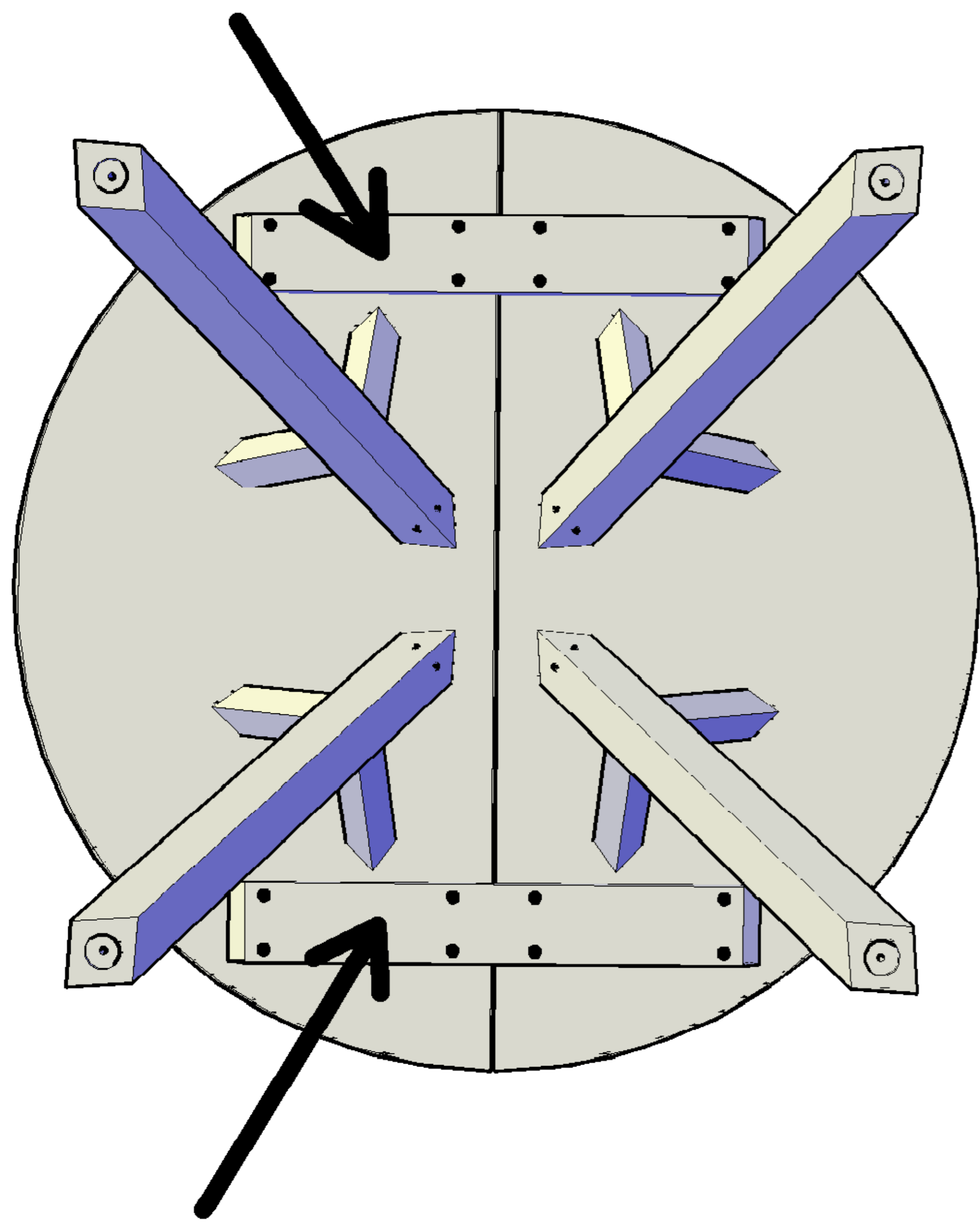
D  **x8**
8 x 40 mm

F  **x16**
35 mm



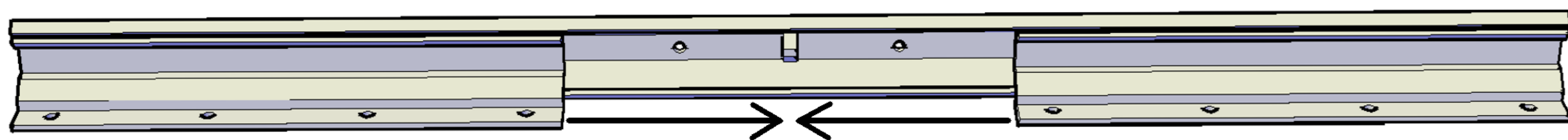
1.

remove



remove

2.

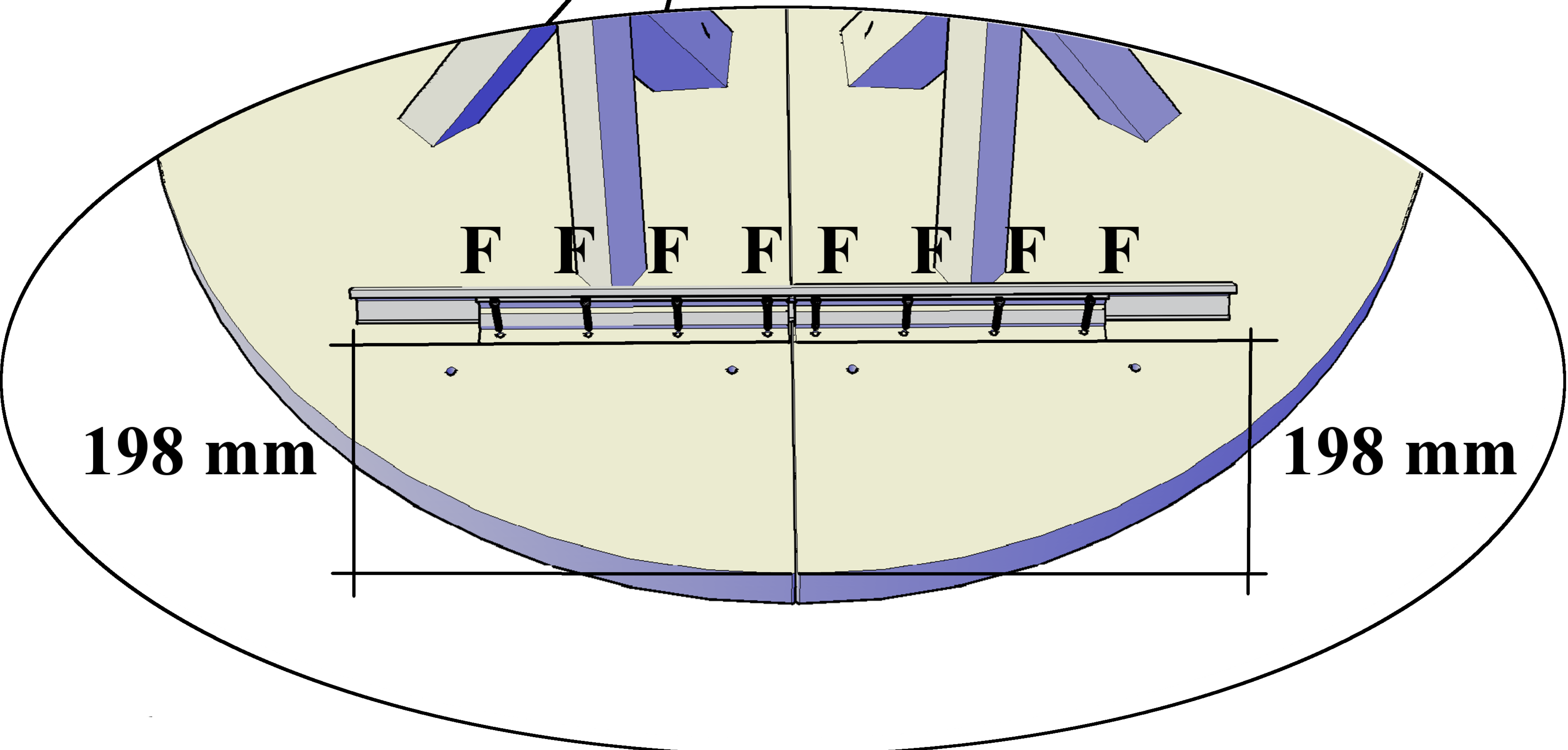
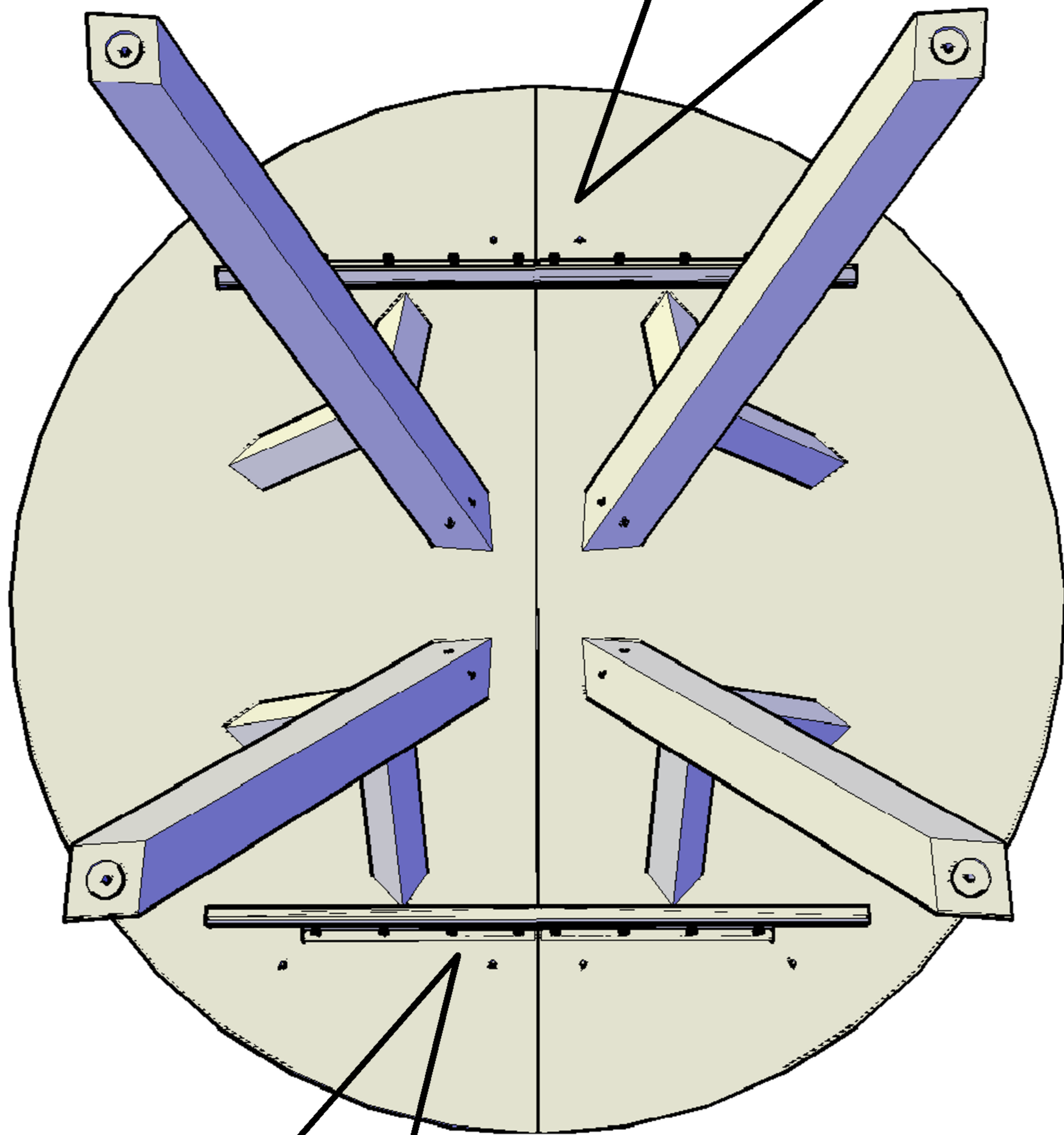
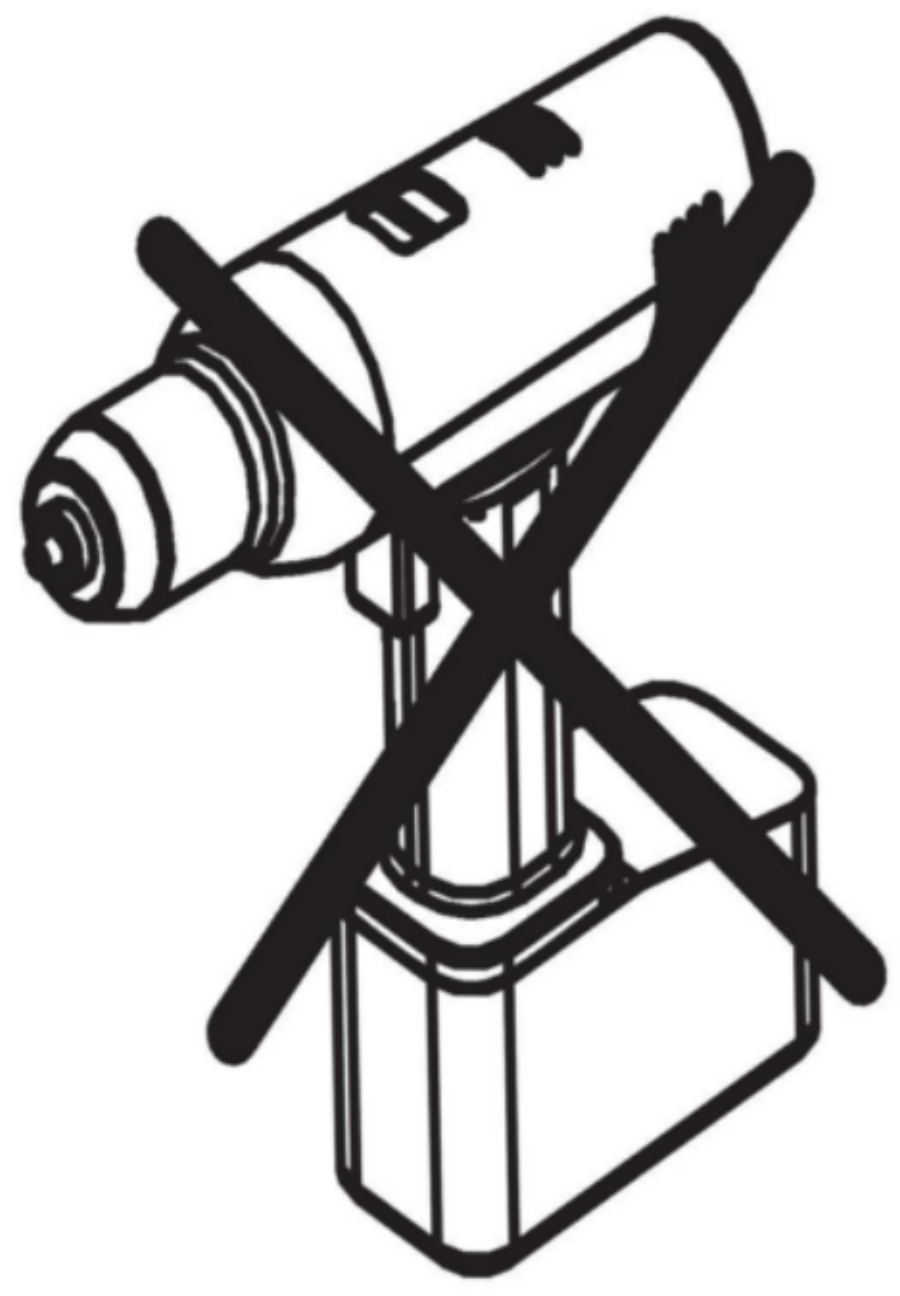
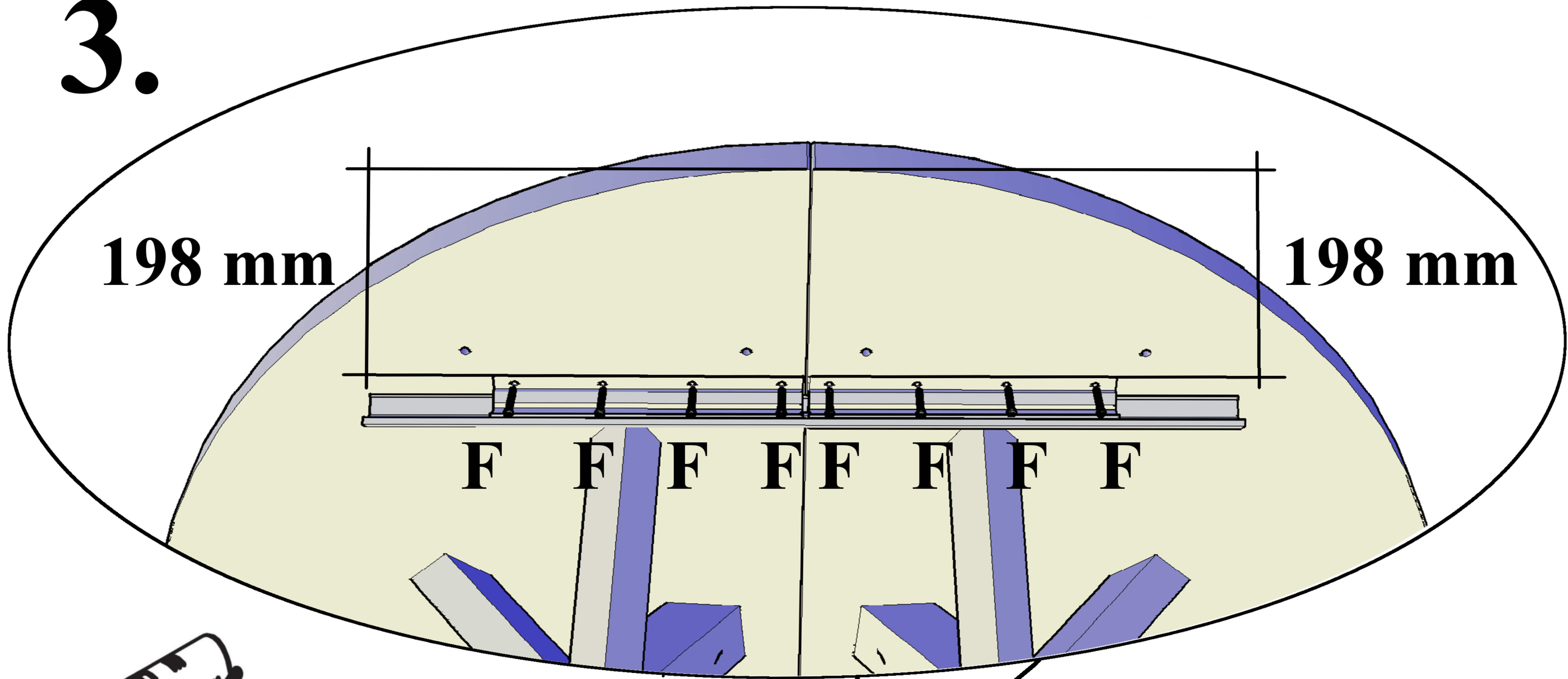


x2

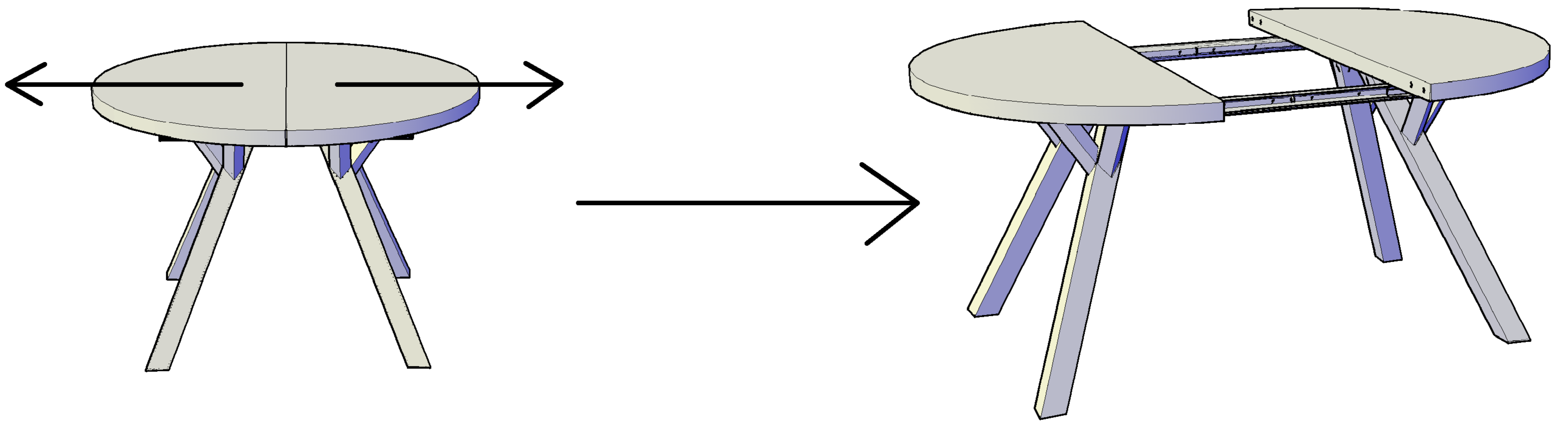


OK

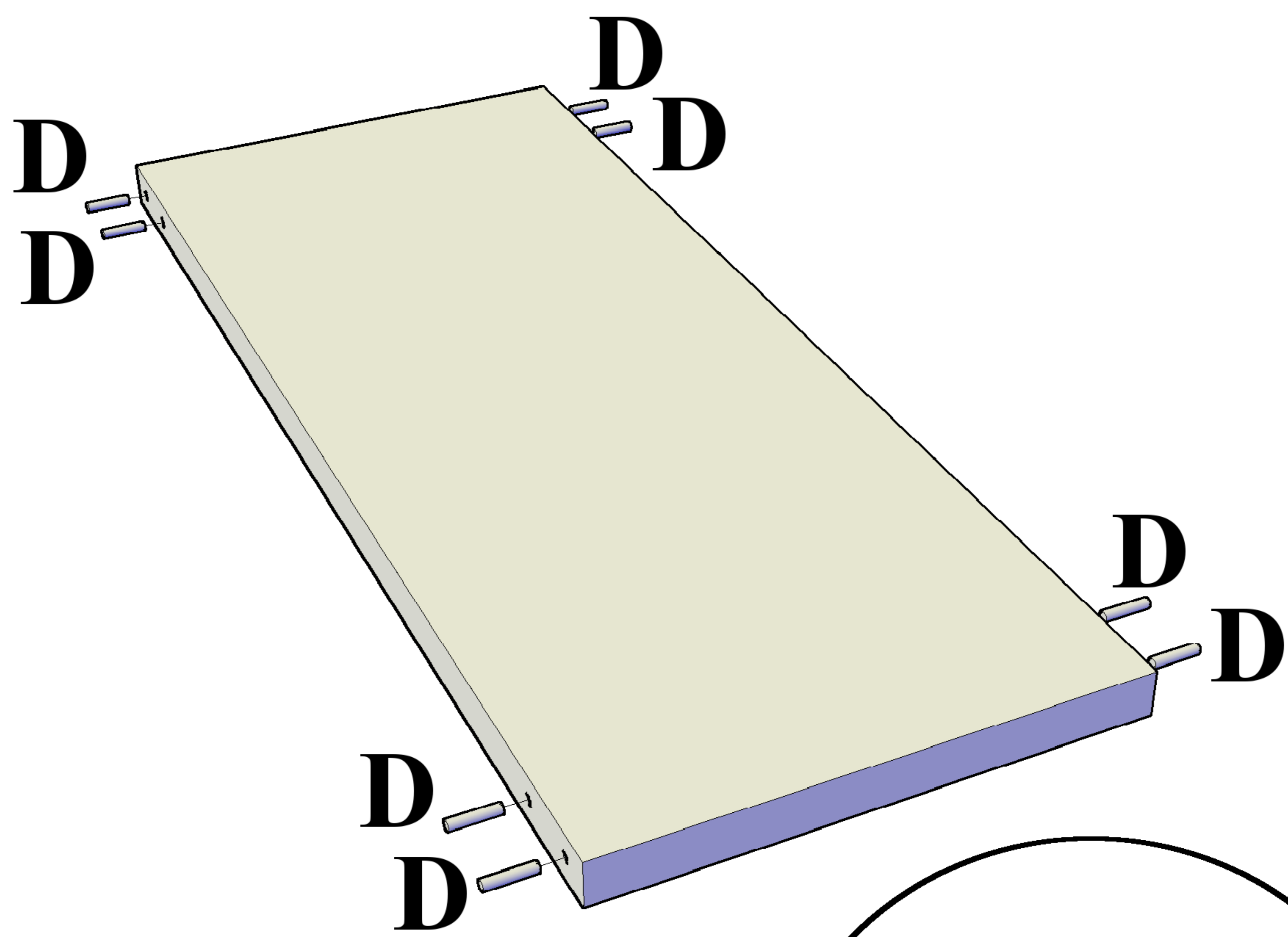
3.



4.



5.



6.

