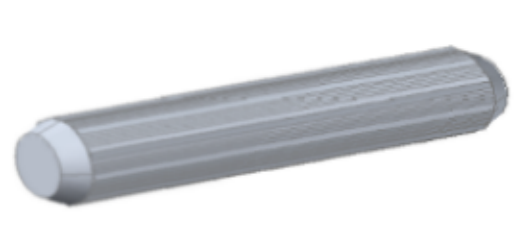

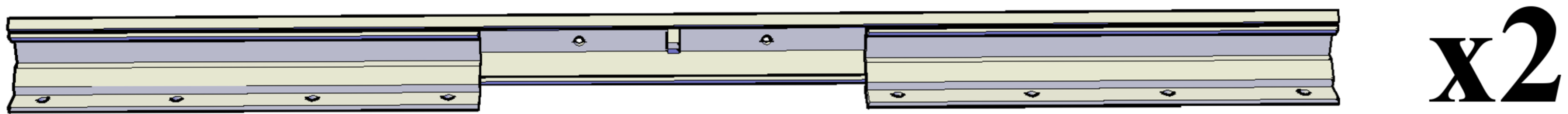
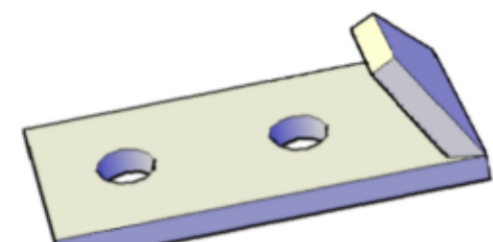
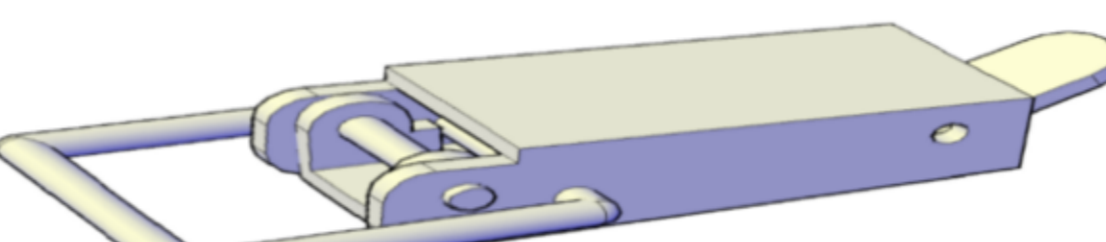



**C**  **x4**  
8 x 40 mm

**F**  **x16**  
5 x 35 mm

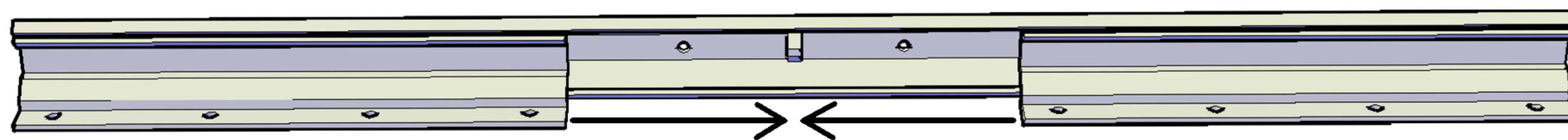


**G**  **x4**

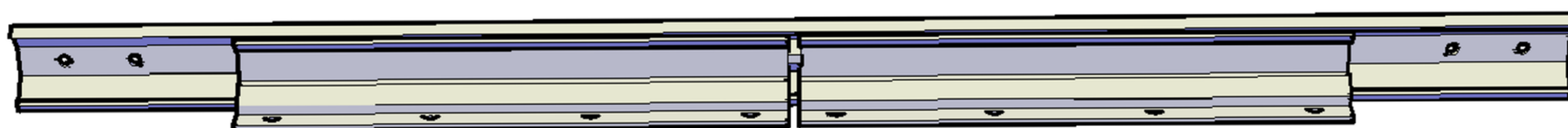
**H**  **x4**

**I**  **x16**  
3,5 x 16 mm

**1.**

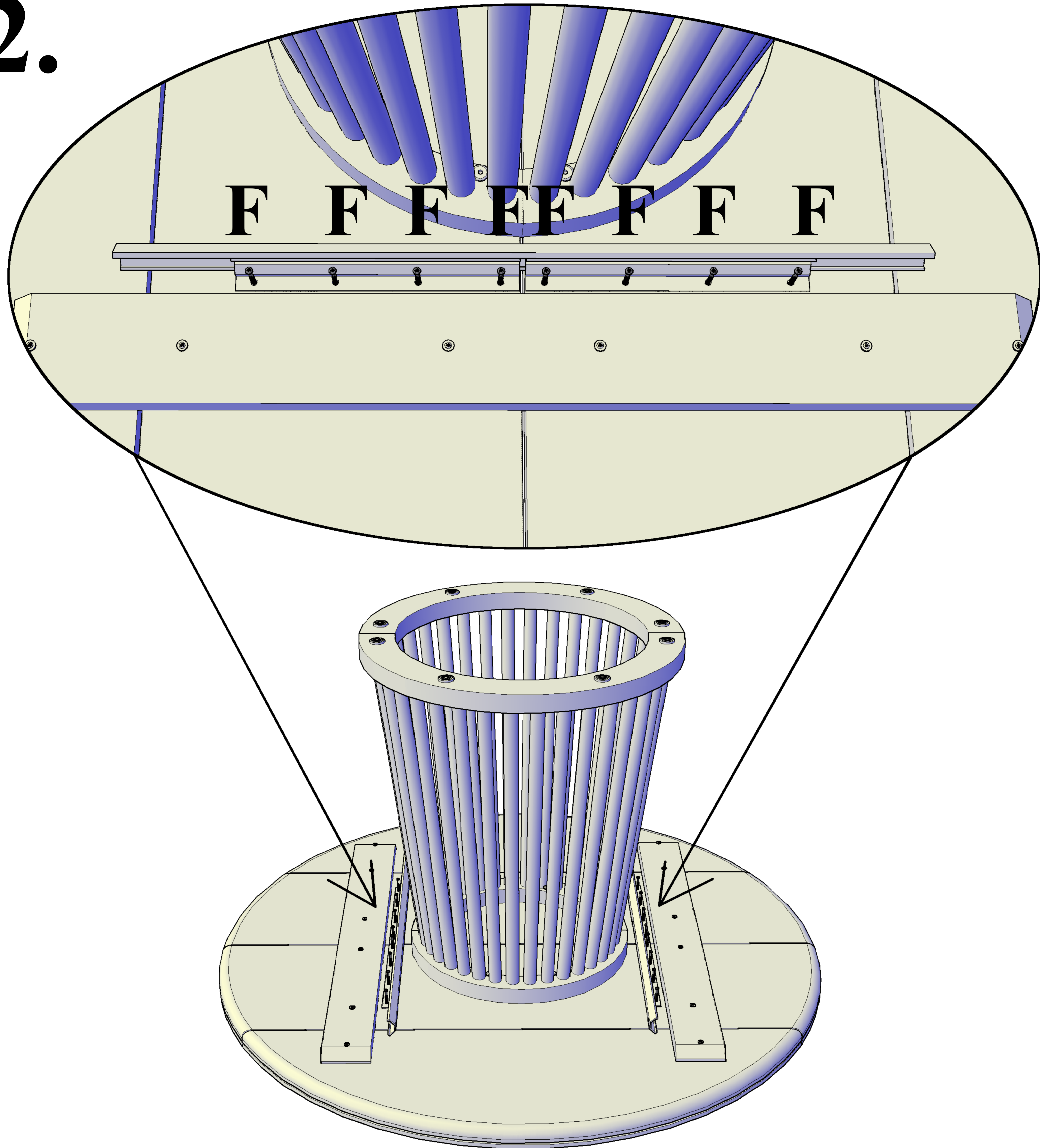


**x2**

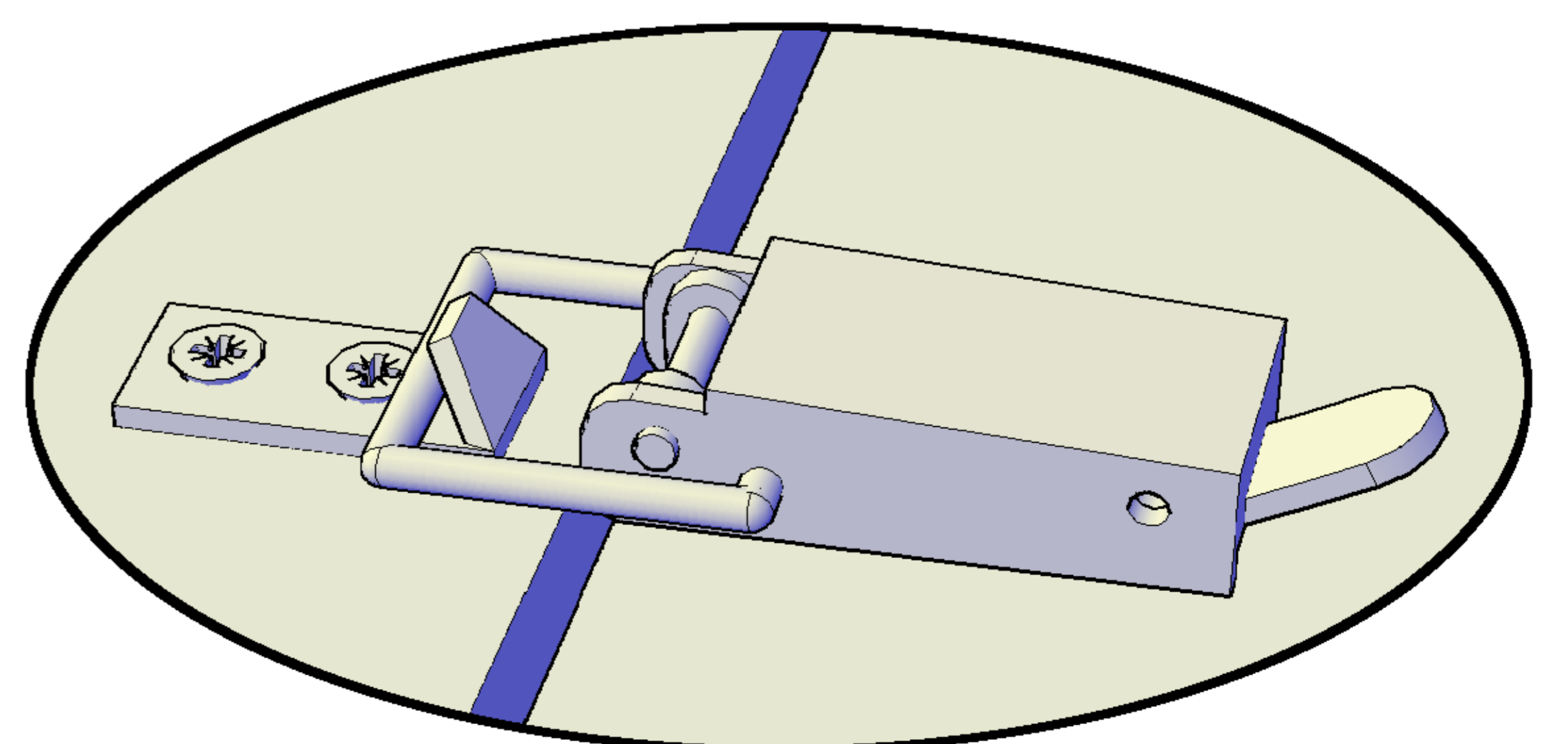
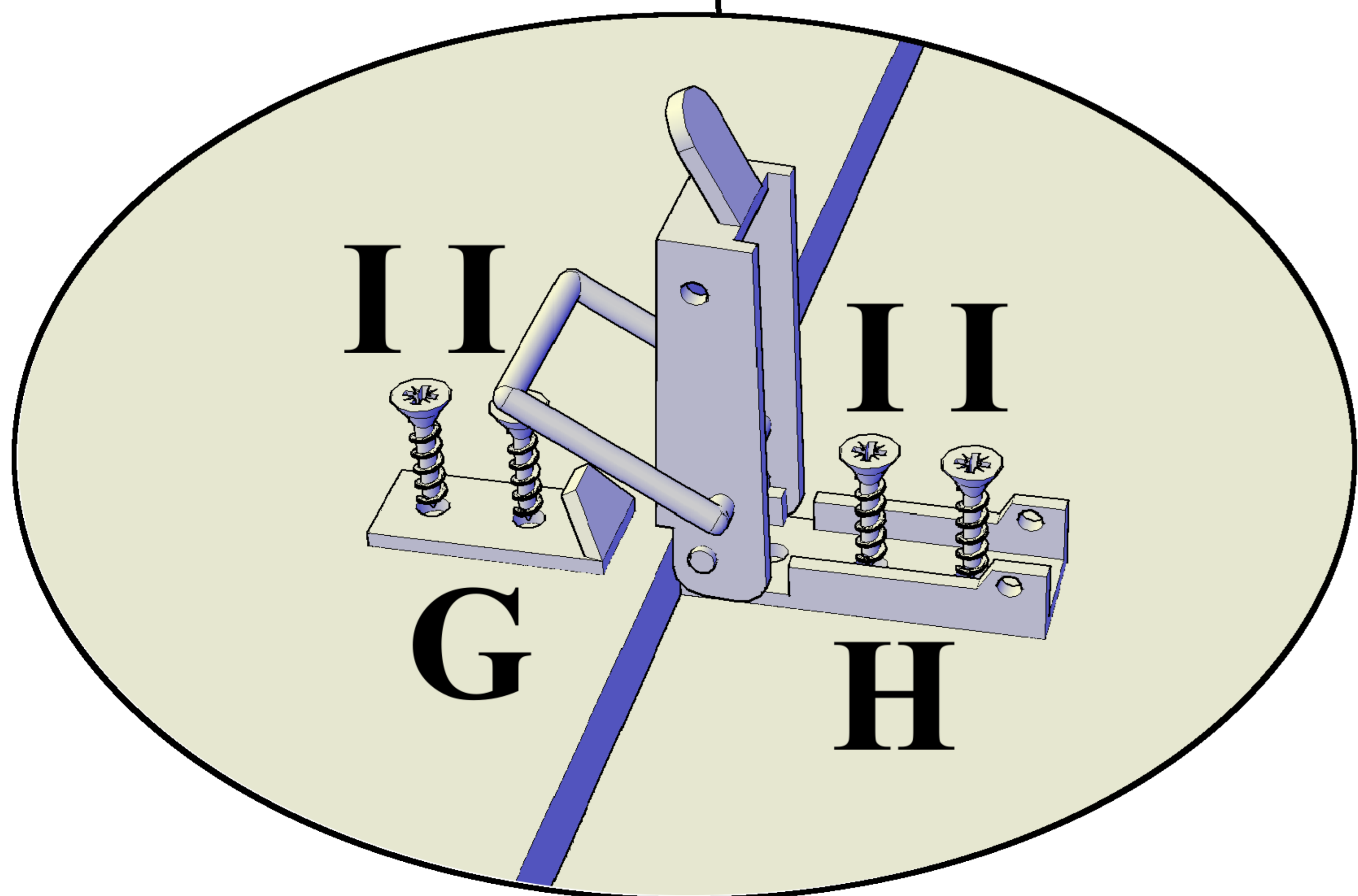
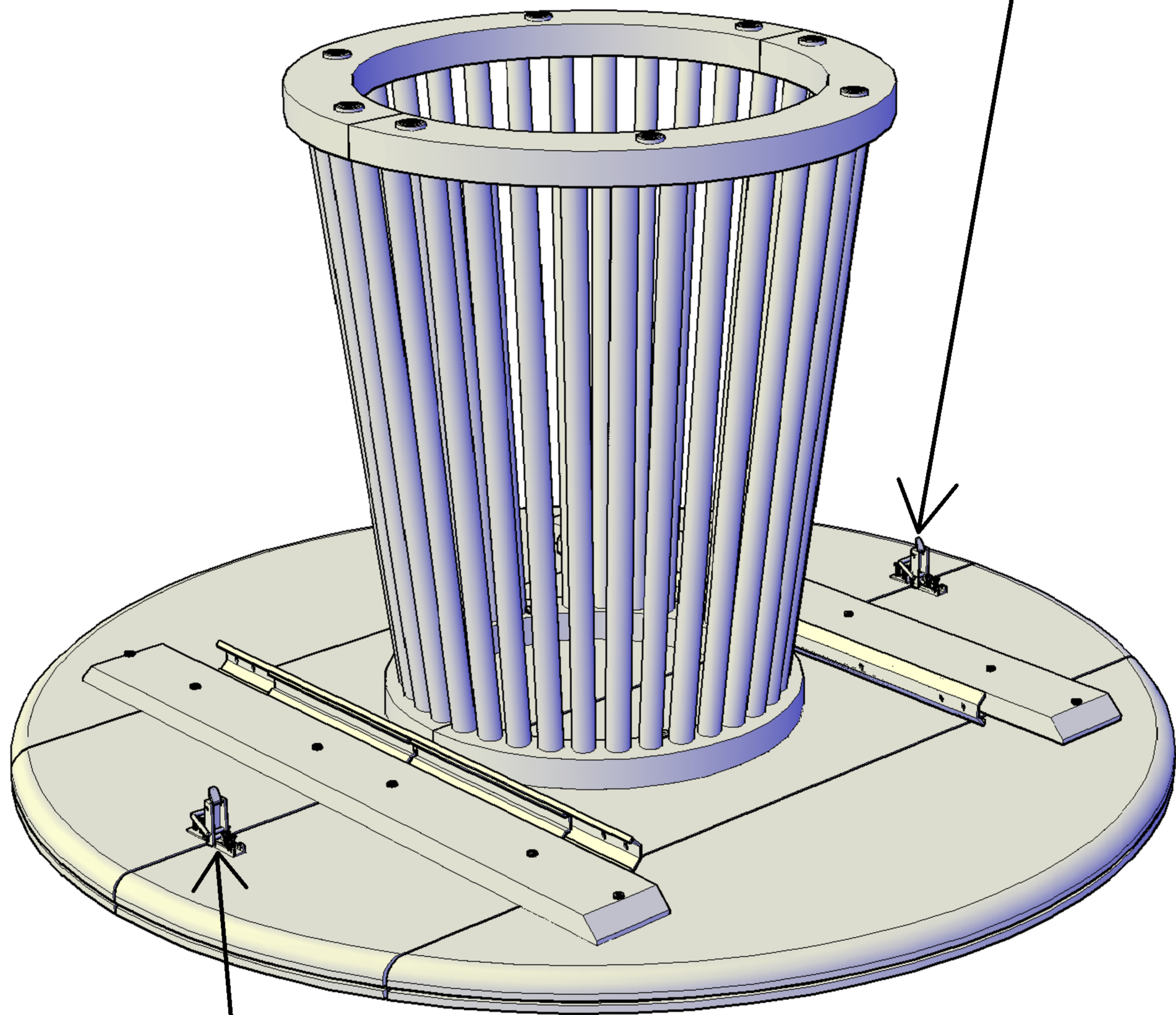
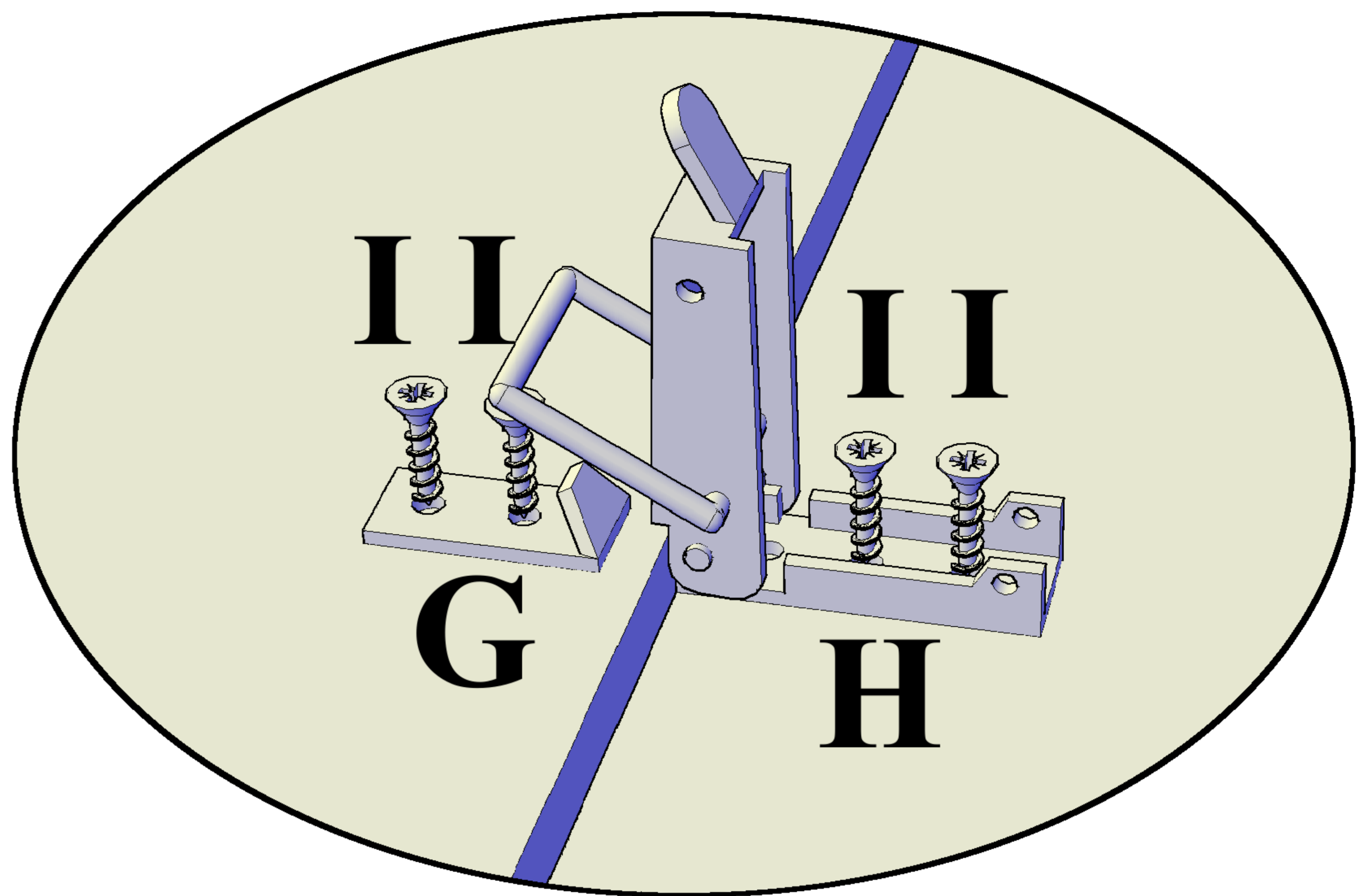


**OK**

2.

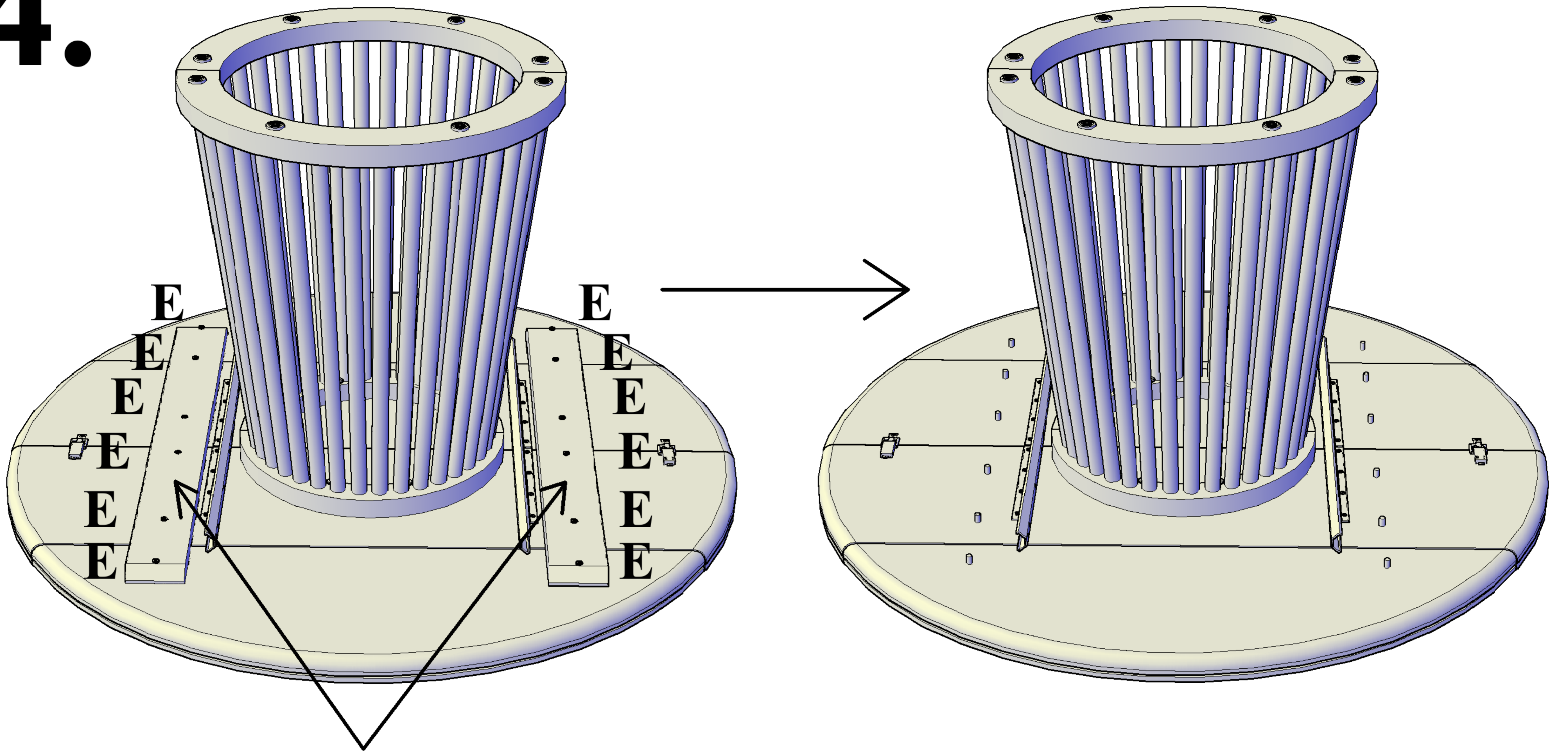


3.



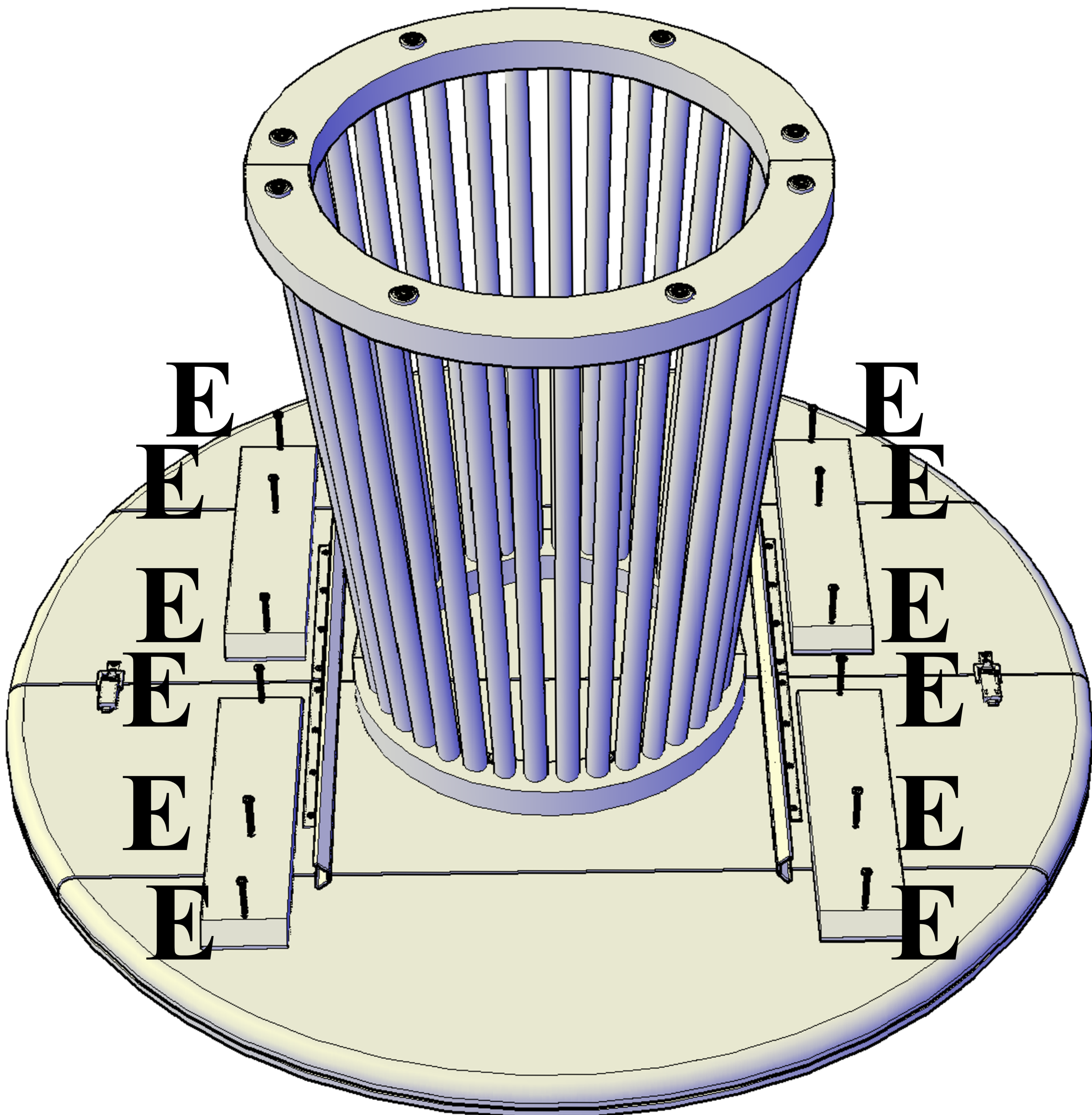
**close the locks**

4.

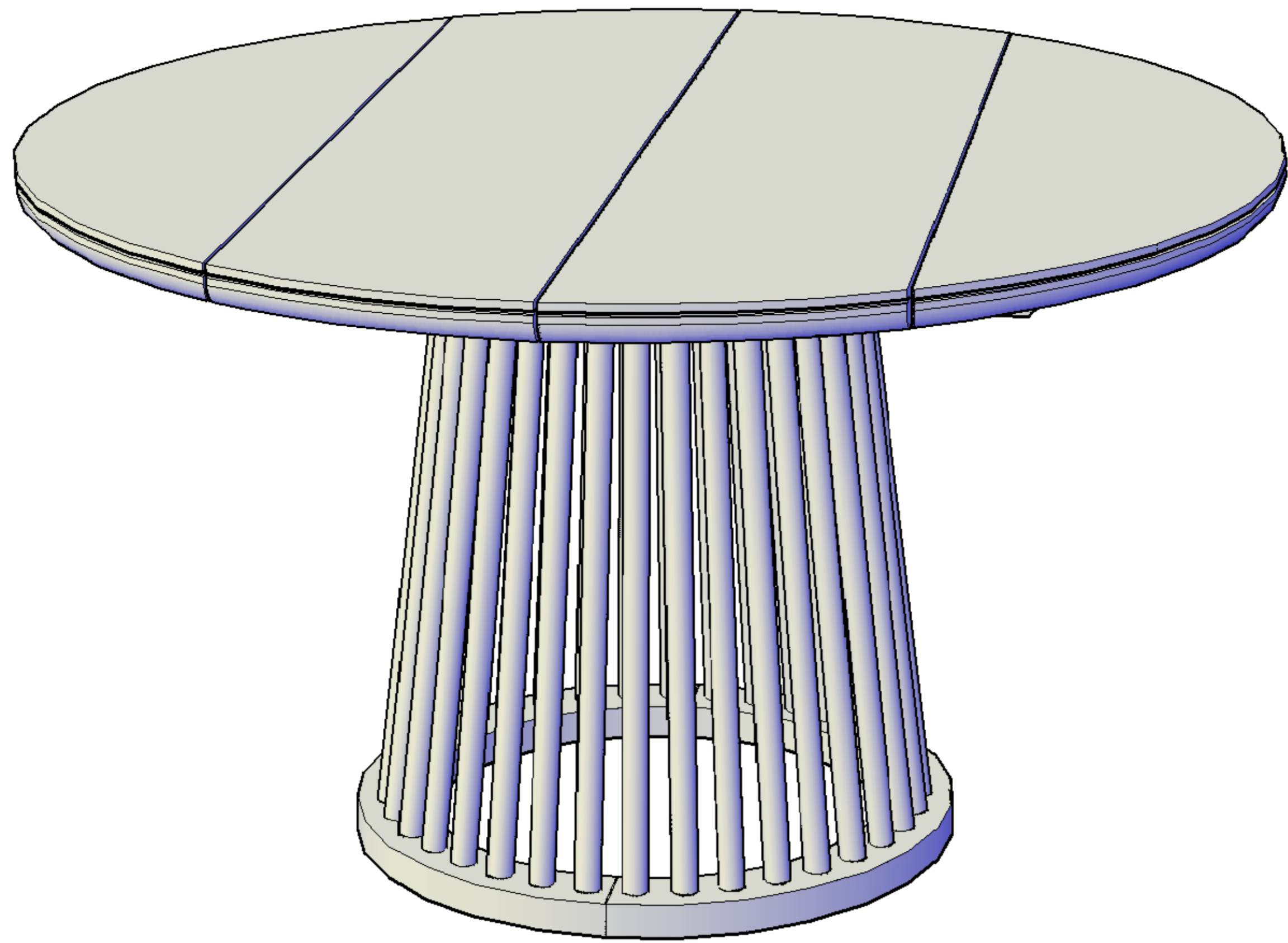


**remove**

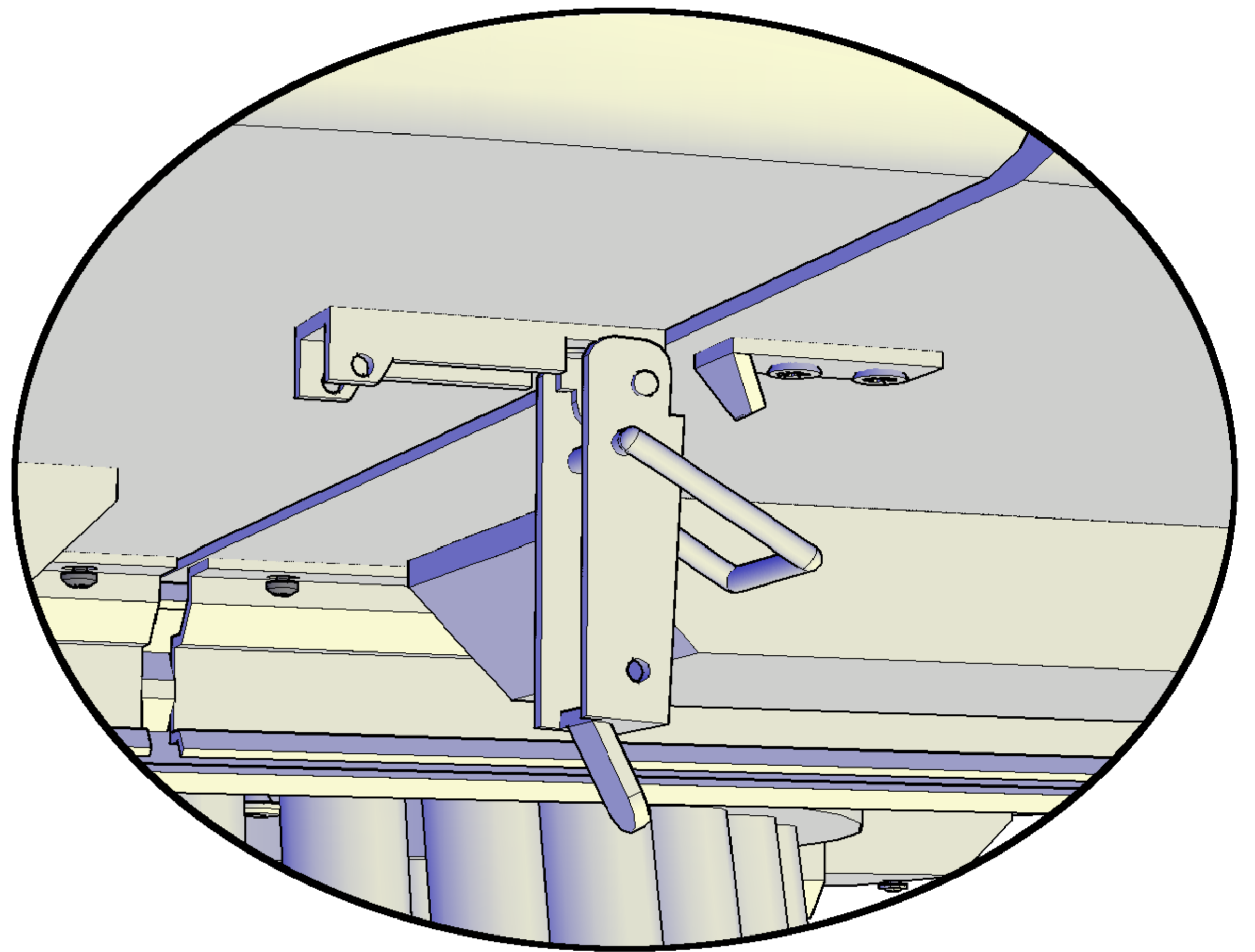
5.



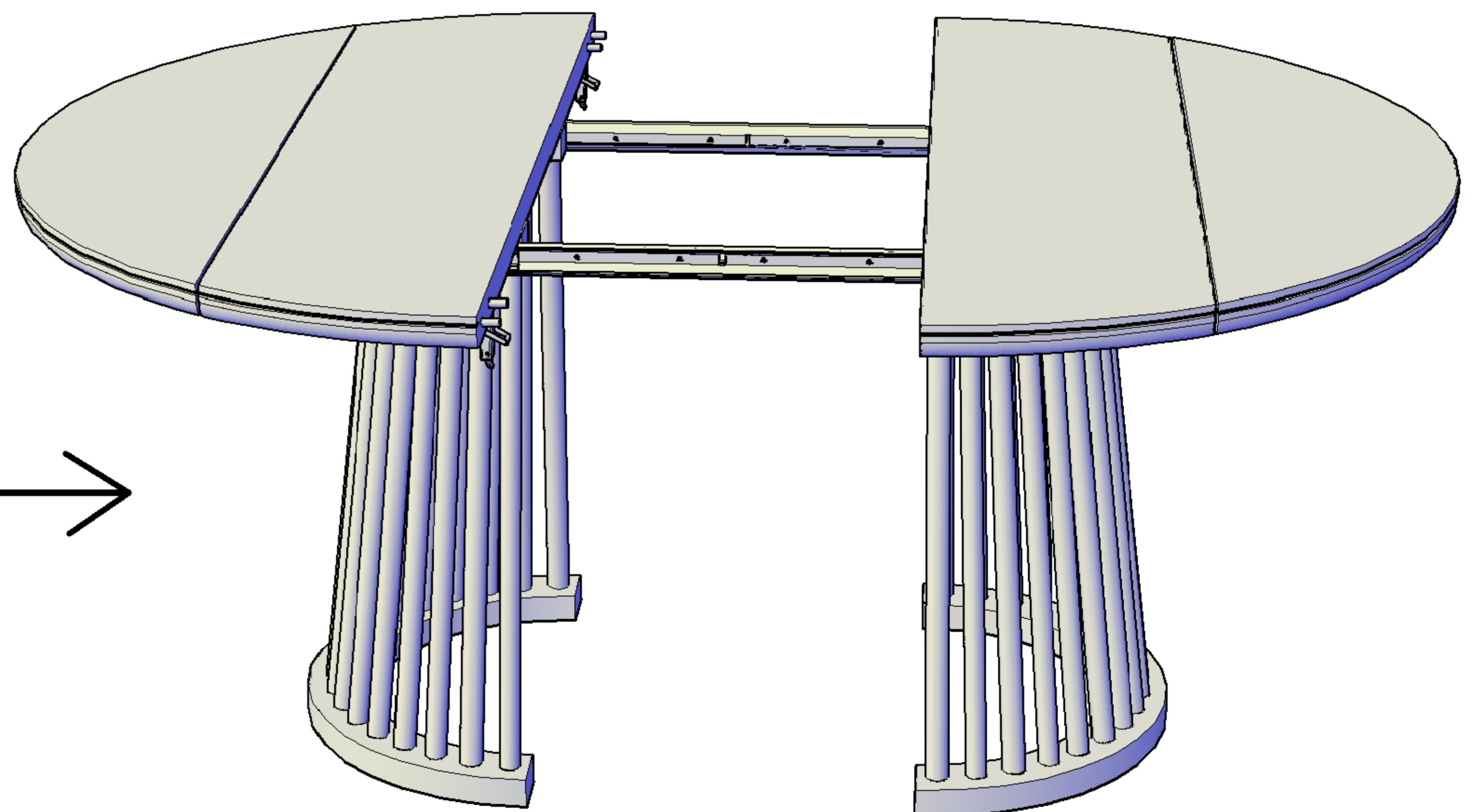
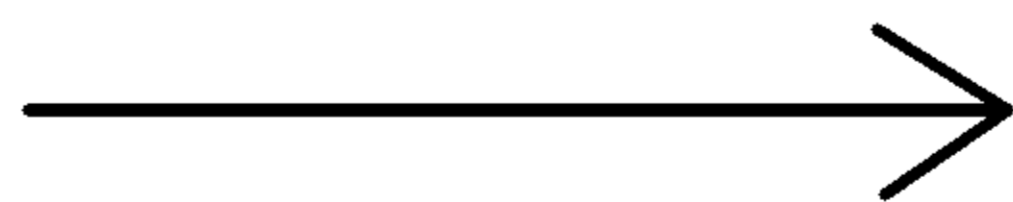
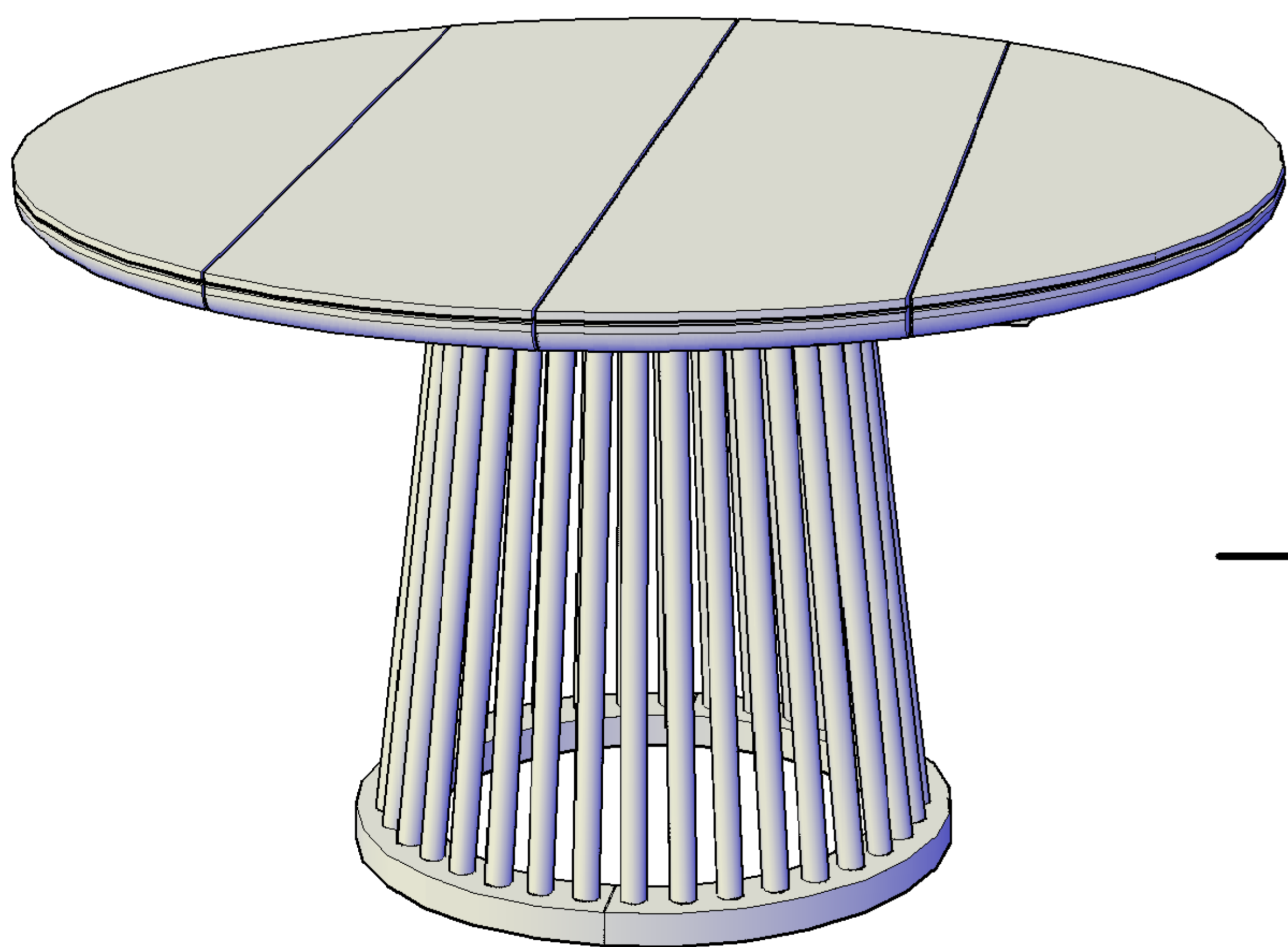
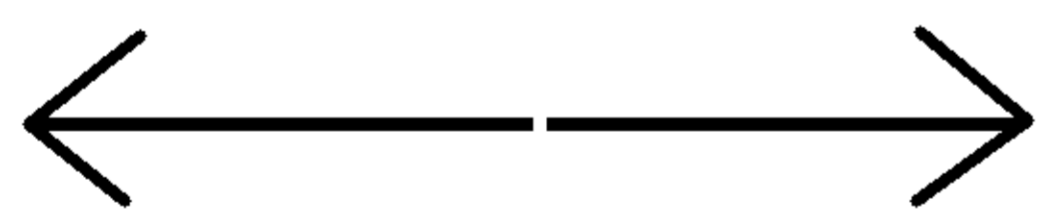
**6.**



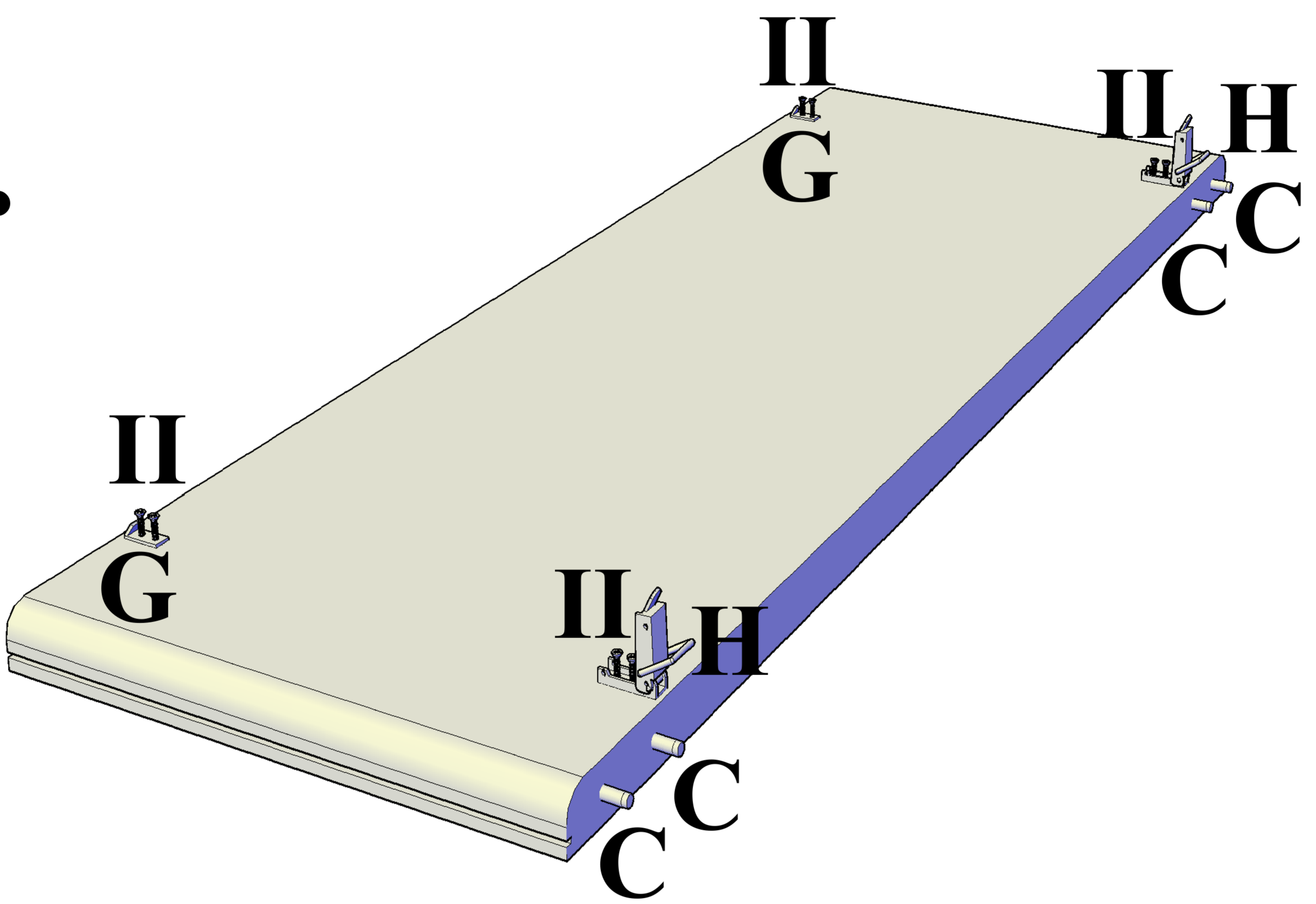
**open the locks**



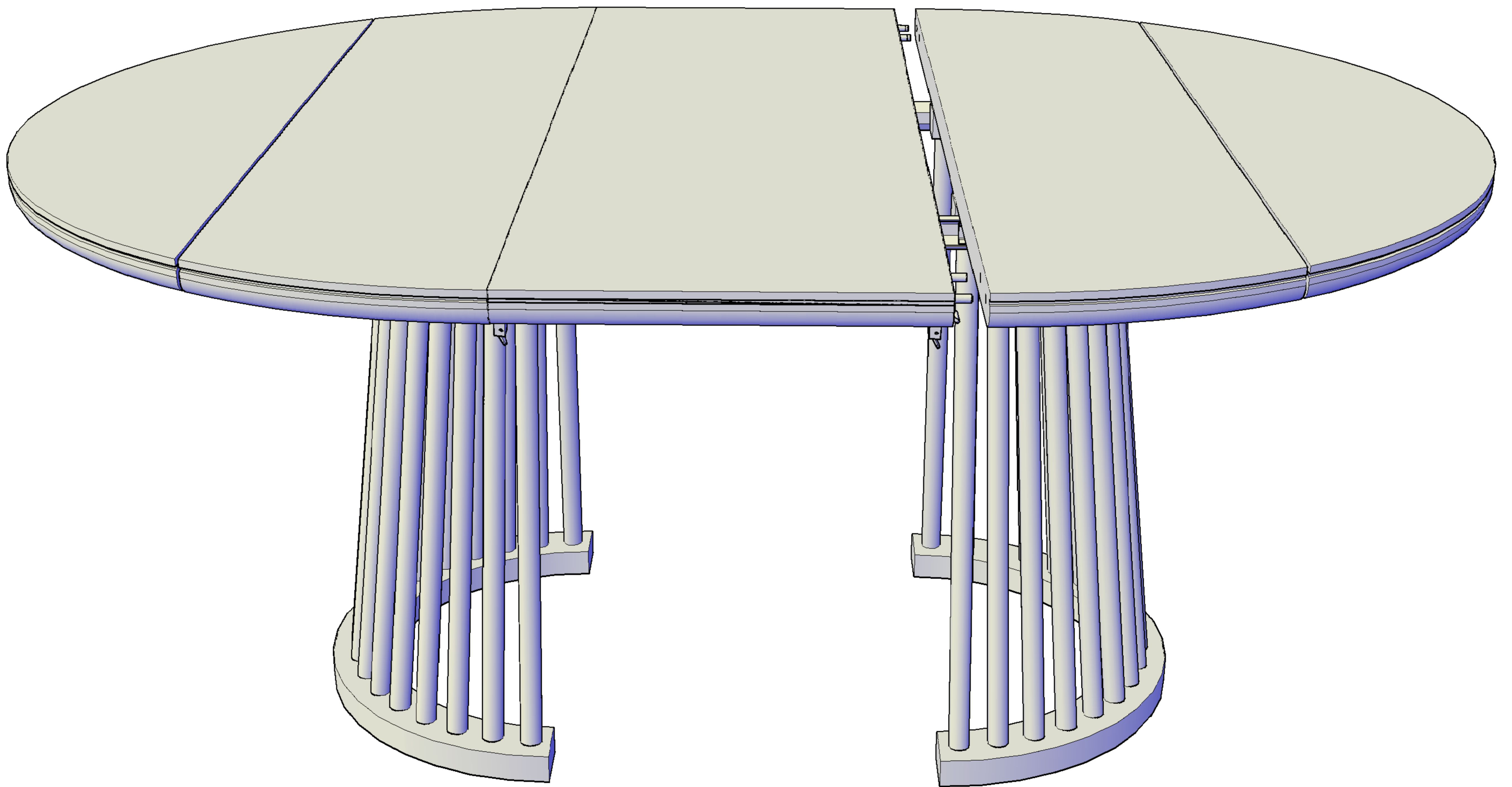
**7.**



8.



9.



**close the locks**